



VERTICAL

absolute

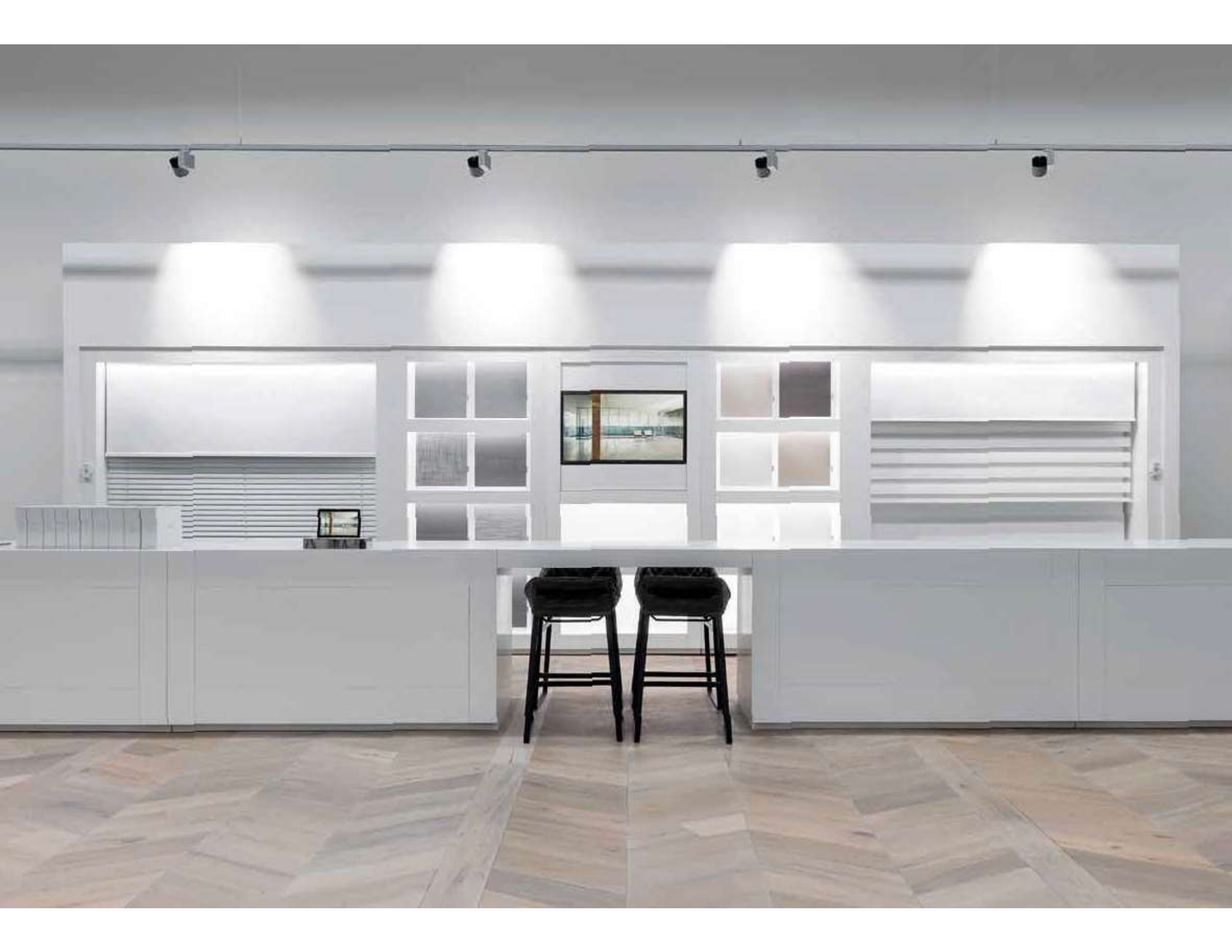
coulisse

since 1992

All rights reserved. No part of this publication may be reproduced, stored in a retrieval system, or transmitted, in any form, by any means, electronic, mechanical, photocopying, recording, digital or otherwise without the written permission of the publisher. Although this publication has been composed with the utmost care, Coulisse B.V. does not accept any responsibility for damage due to mistakes and/or faults in this publication. Coulisse B.V. reserves the right to revise this publication and to revise and/or change its content at any time, without obligation to notify any person or entity of such revisions or changes. The most recent version replaces older versions of this publication. The most recent version is available at the Coulisse customer portal or your Coulisse contact. Please send your remarks and/or comments about this publication to info@coulisse.com.

© Copyright Coulisse

SYSTEM BROCHURE



B E I N S P I R E D

Enter the inspiring world of Coulisse window coverings. An exciting world of design inspired by fashion, art, architecture, nature, technology and beauty. A stimulating world that challenges our imagination about what else window coverings can be, offering safety, prevention, well-being, comfort and convenience in a way that embodies efficiency and simplicity. And a purposeful world that aims at being good for people, the planet and the environment.

Discover our world and be inspired.

T O T A L C O N C E P T

Coulisse expresses its imaginative strength in inspiring collections and advanced system technology. As a one-stop-shop in window coverings, we provide seamless solutions that meet the ever-changing demands in the market. Our product range consists of a wide and complete variety of collections, systems and automation offering different functionality, looks and styles.

Discover our total concept.

INDEX

Absolute by Coulisse	11
Absolute Vertical	13
Colors	15
Configurations	16
System specifications	18
Parts list	22
Accessories and child safety	39
Tools	42
About Coulisse	47

Please visit my.coulisse.com for additional specifications, manuals, videos and calculation sheets or contact info@coulisse.com.



ABSOLUTE

by Coulisse

Imagine an indoor world full of light and peace. A place of safety, well-being and comfort. That is good for you and the world around you. Offering privacy and a pleasant climate. That pleases the senses at every time of the day. A personal space full of energy and life. Built on clean, smooth design. On simplicity, easiness and friendliness. On a modular world of window coverings.

Discover Absolute by Coulisse.



ABSOLUTE VERTICAL

smart design and easy assembly

- Quick assembly without screws
- Slim head rail
- From basic to full-option configurations
- Available in two colors
- Window cleaner function
- Easy installation with invisible clips
- Unique tilt-rod lock system



CONFIGURATIONS

from basic to full-option

1. CORD & CHAIN

- Chain and cord operation
- Available in light version for contract market



2. WAND

- Child safe
- One wand for tilting and sliding



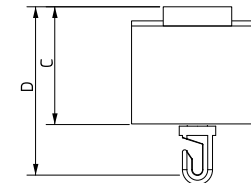
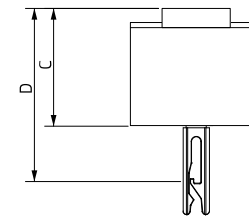
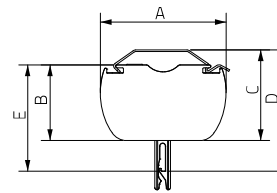
SYSTEM SPECIFICATIONS

REGULAR CONTROL ABSOLUTE VERTICAL BLIND

Fabric type	Max. width		Max. height	
	m	in	m	in
50 mm / 2 in*	3,0	118,1	2,5	98,4
70 mm / 2 in	4,0	157,5	3,0	118,1
89 mm / 3 in	6,0	236,2	3,0	118,1
127 mm / 5 in	6,0	236,2	3,0	118,1
250 mm / 10 in	6,0	236,2	3,0	118,1

*Window cleaner hook not available. Use stop-ring V10-YW

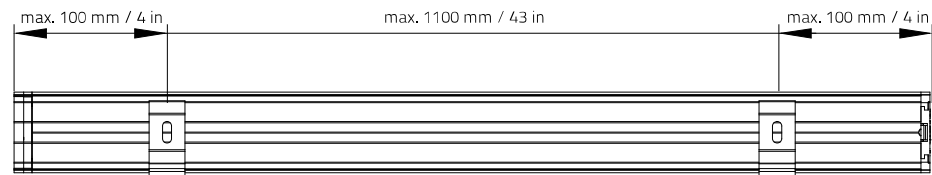
	A	B	C	D	E
mm	min. 60	38	34	32	34
in	min. 2,4	1,5	1,3	1,3	1,3



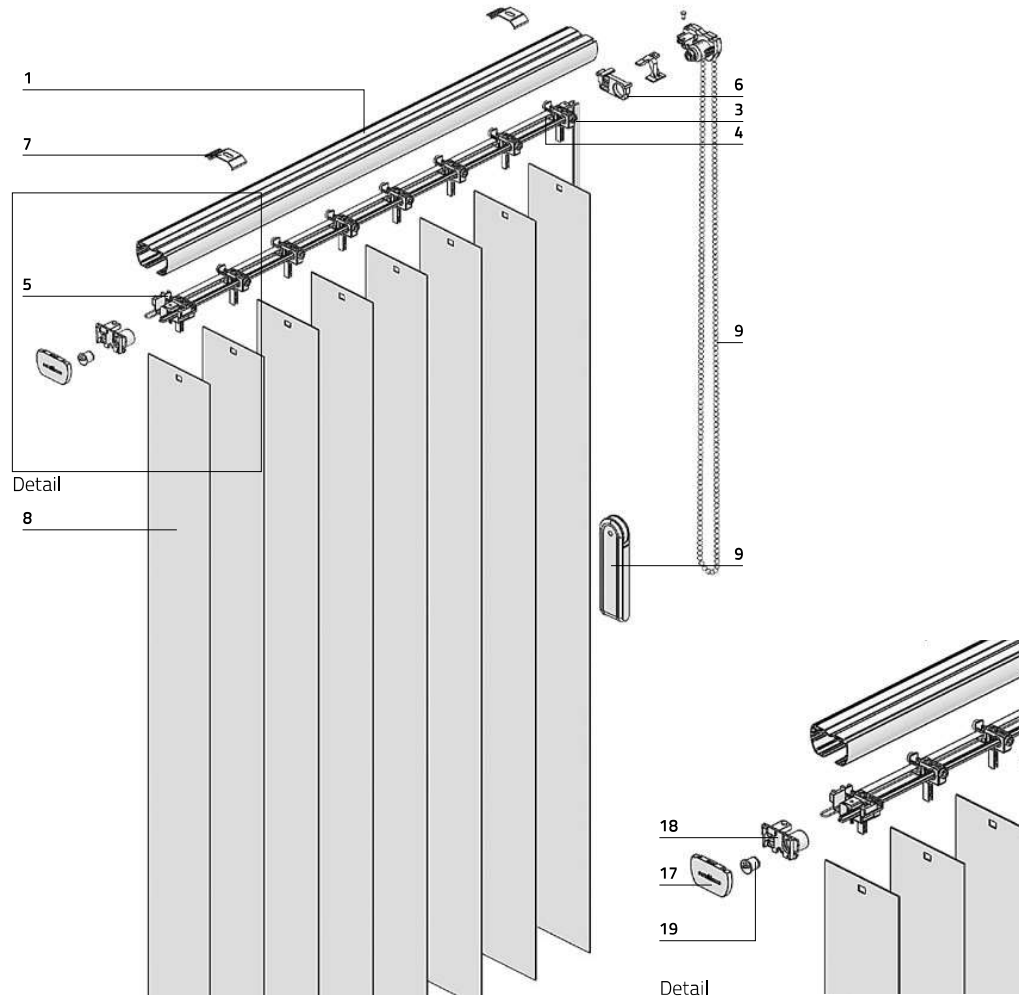
SYSTEM SPECIFICATIONS

NUMBER OF CLIPS

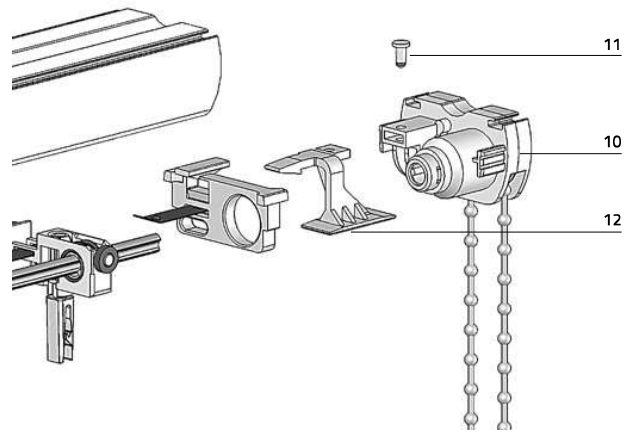
Width		Number of clips
m	in	
.... - 1,3 - 51.2	2
1,3 - 2,4	51.2 - 94.5	3
2,4 - 3,5	94.5 - 137.8	4
3,5 - 4,5	137.8 - 177.2	5
4,5 - 5,7	177.2 - 224,4	6
5,7 - 6,0	224,4 - 236,2	7



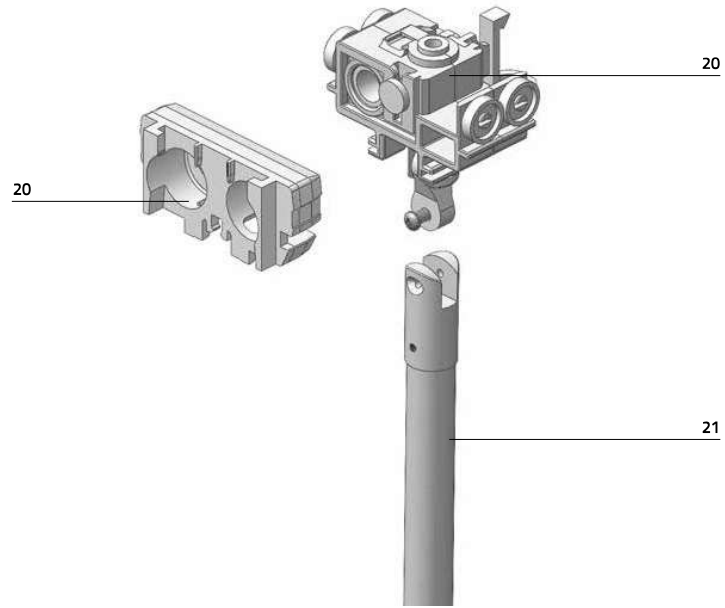
PARTS LIST GENERAL COMPONENTS



PARTS LIST CORD AND CHAIN



PARTS LIST WAND





ACCESSORIES AND CHILD SAFETY

